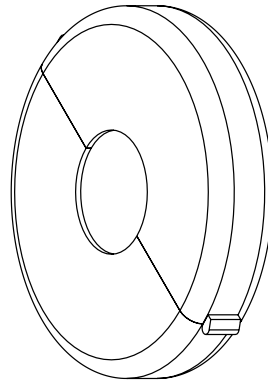
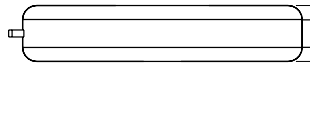
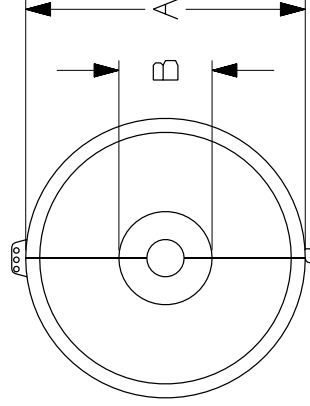


THIS COPY IS PROVIDED ON A RESTRICTED BASIS AND IS NOT TO BE USED IN ANY WAY DETRIMENTAL TO THE INTERESTS OF PANDUIT CORP.

PART NUMBER	COLOR	VALVE HANDLE SIZE in. (mm)	DIM. "A" in. (mm)	DIM "B" in. (mm)	DIM "C" in. (mm)	STANDARD PKG.
PSL-V2BLU	BLUE	1.0-3.0 (25 to 76)	3.5 (88.9)	.75 (19.05)	1.25 (31.8)	1
PSL-V2GRN	GREEN	1.0-3.0 (25 to 76)	3.5 (88.9)	.75 (19.05)	1.25 (31.8)	1
PSL-V2YEL	YELLOW	1.0-3.0 (25 to 76)	3.5 (88.9)	.75 (19.05)	1.25 (31.8)	1
PSL-V6BLU	BLUE	3.0-6.5 (76 to 165)	7.0 (177.8)	2.0 (50.8)	1.75 (44.45)	1
PSL-V6GRN	GREEN	3.0-6.5 (76 to 165)	7.0 (177.8)	2.0 (50.8)	1.75 (44.45)	1
PSL-V6YEL	YELLOW	3.0-6.5 (76 to 165)	7.0 (177.8)	2.0 (50.8)	1.75 (44.45)	1
PSL-V9	RED	6.5-10.0 (165 to 254)	10.5 (266.7)	3.5 (88.9)	2.25 (57.15)	1
PSL-V9YEL	YELLOW	6.5-10.0 (165 to 254)	10.5 (266.7)	3.5 (88.9)	2.25 (57.15)	1
PSL-V13	RED	10.0-13.0 (254 to 330)	14.5 (368.3)	4.0 (101.6)	2.75 (69.85)	1
PSL-V13YEL	YELLOW	10.0-13.0 (254 to 330)	14.5 (368.3)	4.0 (101.6)	2.75 (69.85)	1
PSL-V2A	RED	1.0-2.5 (25 to 63.5)	3.5 (89.0)	.75 (19.05)	1.25 (31.8)	1
PSL-V6A	RED	2.5-6.5 (63.5 to 165)	7.0 (177.8)	2.0 (50.8)	1.75 (44.45)	1

3



SIMILAR TO C10401

CAD FILENAME/LAYERS 100619X1_C10094_PSL-V_00.prt

PANDUIT CORP TINLEY PARK, ILLINOIS	
PSL-V*** GATE VALVE LOCKOUTS	
UNLESS OTHERWISE SPECIFIED, DIMENSIONAL TOLERANCES ARE: (.X) : .XXX (.XX) : .010	UNLESS OTHERWISE SPECIFIED, ALL DIMENSIONS ARE GIVEN IN INCHES, THIRD ANGLE PROJECTION
OWNER BY: RVU	MAT'L: NTS
DATE: 9-9-03	POLYPROPYLENE, RED PANTONE PMS 186
CHK: SUP	C10094
REV: DATE BY CHK DESCRIPTION	SIZE: B

- NOTES:
1. MILLIMETERS SHOWN IN ().
 2. COLOR REQUIREMENT.

3	3-29-06	RVU	PSL-V2A: 1'-2.5 WAS 1'-3. PSL-V6A: 2.5-6.5 WAS 3.0-6.5.	4429	R
2	1-24-06	RVU	ADDED PANTONE COLOR #.	4335	R
1	9-8-05	RVU	DWY PART NO.'S PSL-V2, PSL-V4, AND PSL-V6 OBSOLETE. ADDED PART NO.'S PSL-V2A AND PSL-V6A.	4168	R
R	9-9-03	RVU	DWY DRAWING RELEASE	3399	R
REV	DATE	BY	CHK	DESCRIPTION	ECN - R