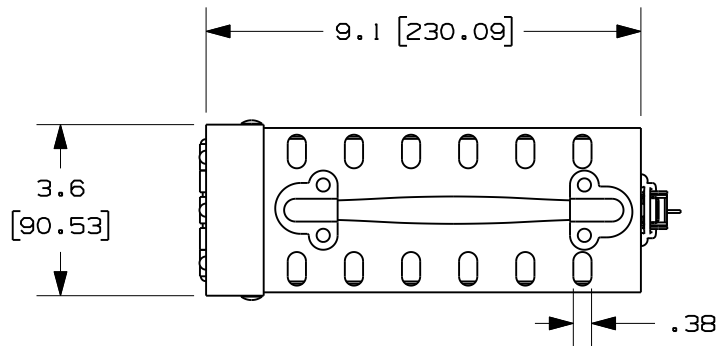
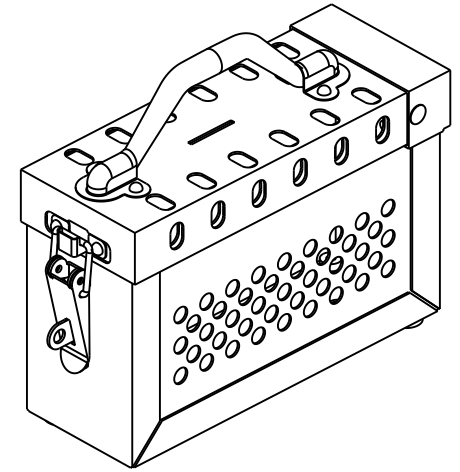
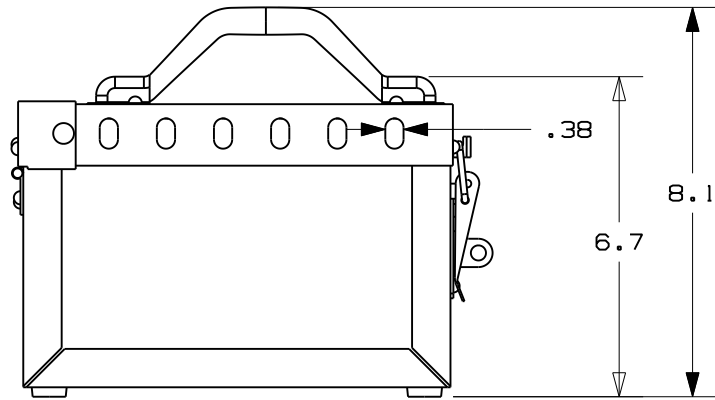


THIS COPY IS PROVIDED ON A RESTRICTED BASIS AND IS NOT TO BE USED IN ANY WAY DETRIMENTAL TO THE INTERESTS OF PANDUIT CORP.



NOTES:

- 1) DIMENSIONS IN ( ) ARE MILLIMETERS
- 2) ACCOMODATES UP TO 13 PADLOCKS
- 3) INDUSTRIAL POWDER COATED STEEL CONSTRUCTION
- 4) COLOR: RED

CAD FILENAME/LAYERS		100930AC_DC_C10795/06A	
		CORP. TINLEY PARK, ILLINOIS	
		PSL-GLBN CUSTOMER DRAWING SLIDING LID GROUP LOCK BOX	
UNLESS OTHERWISE SPECIFIED, DIMENSIONAL TOLERANCES ARE: (.X) ± .1   (0.76) (.XXX) ± .025   (0.13) (.XX) ± .050   (0.25) ANGLES ± 5°		UNLESS OTHERWISE SPECIFIED, ALL DIMENSIONS ARE GIVEN IN INCHES, THIRD ANGLE PROJECTION.	
DRAWN BY <b>JHAC</b>	MAT'L: <b>POWDER COATED                  STEEL</b>		SCALE <b>1 : 4</b>
DATE <b>10-2-09</b>	DRAWING NO. <b>C10795</b>	DWG <b>A</b> SIZE	
REV <b>0</b>	DATE <b>10-2-09</b>	BY <b>JHAC</b>	CHK DESCRIPTION <b>DRAWING RELEASE</b>
		ECN <b>5866</b>	R <b>R</b>
		CUST <b>R</b>	SUP <b>SUP</b>