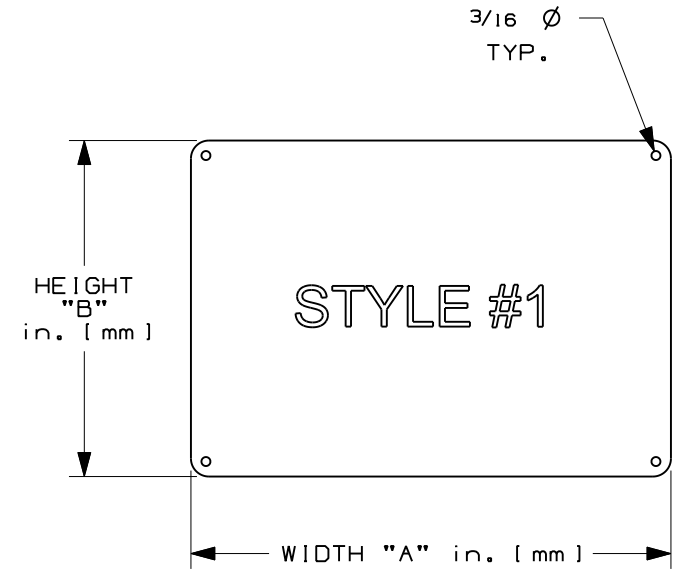


THIS COPY IS PROVIDED ON A RESTRICTED BASIS AND IS NOT TO BE USED IN ANY WAY DETRIMENTAL TO THE INTERESTS OF PANDUIT CORP.

PART NUMBER	LEGEND	DESCRIPTION	COLOR (TEXT / BACKGROUND)	"A" +/- .050 WIDTH in [mm]	HEIGHT "B" in. [mm]	STANDARD PKG. QTY.
PRS0310F319	FIRE EXTINGUISHER	NON-ADHESIVE SIGN, 'FIRE EXTINGUISHER', 'IN ARROW DOWN SIGN'	WHITE/RED	3.50 [88.9]	10.00 [254.0]	1
PRS0710B251	EYE WASH STATION	NON-ADHESIVE SIGN, 'EYE WASH STATION'	WHITE/RED	10.00 [254.0]	7.00 [177.8]	1
PRS0710B364	DANGER HIGH VOLTAGE	NON-ADHESIVE SIGN, 'DANGER HIGH VOLTAGE'	RED/WHITE	10.00 [254.0]	7.00 [177.8]	1
PRS0710B430	EXIT	NON-ADHESIVE SIGN, 'EXIT'	RED/WHITE	10.00 [254.0]	7.00 [177.8]	1
PRS0710BWHT	BLANK	NON-ADHESIVE SIGN, 'BLANK'	WHITE	10.00 [254.0]	7.00 [177.8]	1
PRS0710BYEL	BLANK	NON-ADHESIVE SIGN, 'BLANK'	YELLOW	10.00 [254.0]	7.00 [177.8]	1
PRS0710C442	CAUTION	NON-ADHESIVE SIGN, 'CAUTION' HEADER ONLY	BLACK/YELLOW	10.00 [254.0]	7.00 [177.8]	1
PRS0710D440	DANGER	NON-ADHESIVE SIGN, 'DANGER' HEADER ONLY	RED & BLACK/WHITE	10.00 [254.0]	7.00 [177.8]	1
PRS0710D68	DANGER, CABLE BURIED HERE	NON-ADHESIVE SIGN, 'DANGER', 'CABLE 'BURIED HERE'	RED & BLACK/WHITE	10.00 [254.0]	7.00 [177.8]	1
PRS0710D72	DANGER, HIGH VOLTAGE	NON-ADHESIVE SIGN, 'DANGER', 'HIGH 'VOLTAGE'	RED & BLACK/WHITE	10.00 [254.0]	7.00 [177.8]	1
PRS0710N443	NOTICE	NON-ADHESIVE SIGN, 'NOTICE' HEADER ONLY	BLUE & BLACK/WHITE	10.00 [254.0]	7.00 [177.8]	1
PRS0910D453	KEEP AWAY, DANGER, PELIGRO, ALTA TENSION	NON-ADHESIVE SIGN, 'KEEP AWAY', 'DANGER', 'PELIGRO', 'ALTA TENSION'	RED & BLACK/WHITE	10.00 [254.0]	9.00 [228.6]	1
PRS1014B364	DANGER HIGH VOLTAGE	NON-ADHESIVE SIGN, 'DANGER HIGH VOLTAGE'	RED/WHITE	14.00 [335.6]	10.00 [254.0]	1
PRS1014BWHT	BLANK	NON-ADHESIVE SIGN, 'BLANK'	WHITE	14.00 [335.6]	10.00 [254.0]	1
PRS1014BYEL	BLANK	NON-ADHESIVE SIGN, 'BLANK'	YELLOW	14.00 [335.6]	10.00 [254.0]	1
PRS1014C442	CAUTION	NON-ADHESIVE SIGN, 'CAUTION' HEADER ONLY	BLACK/YELLOW	14.00 [335.6]	10.00 [254.0]	1
PRS1014D440	DANGER	NON-ADHESIVE SIGN, 'DANGER' HEADER ONLY	RED & BLACK/WHITE	14.00 [335.6]	10.00 [254.0]	1
PRS1014D70	DANGER, ELECTRICAL EQUIPMENT AUTHORIZED PERSONNEL ONLY	NON-ADHESIVE SIGN, 'DANGER', 'ELECTRICAL EQUIPMENT AUTHORIZED PERSONNEL ONLY'	RED & BLACK/WHITE	14.00 [335.6]	10.00 [254.0]	1
PRS1014D71	DANGER, ELECTRIC METER ROOM NO STORAGE	NON-ADHESIVE SIGN, 'DANGER', 'ELECTRIC METER ROOM NO STORAGE'	RED & BLACK/WHITE	14.00 [335.6]	10.00 [254.0]	1
PRS1014D72	DANGER, HIGH VOLTAGE	NON-ADHESIVE SIGN, 'DANGER', 'HIGH 'VOLTAGE'	RED & BLACK/WHITE	14.00 [335.6]	10.00 [254.0]	1
PRS1014D73	DANGER, HIGH VOLTAGE KEEP OUT	NON-ADHESIVE SIGN, 'DANGER', 'HIGH 'VOLTAGE', 'KEEP OUT'	RED & BLACK/WHITE	14.00 [335.6]	10.00 [254.0]	1

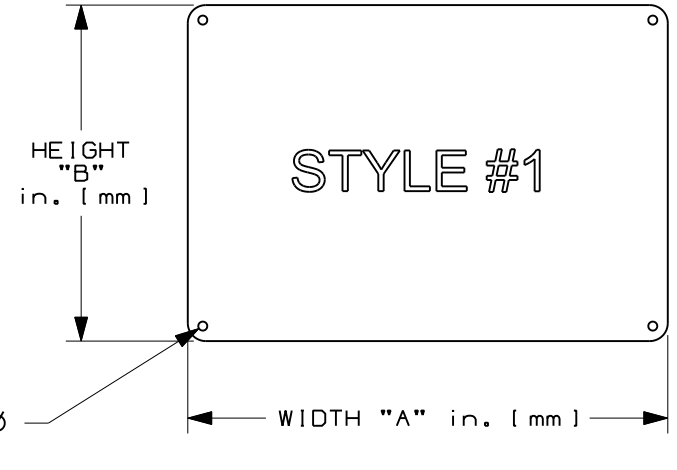


NOTES:
1. MILLIMETER ARE IN [].

1 of 2

						CAD FILENAME/LAYERS		100318LT_DC_C10673/00A	
						PANDUIT CORP. TINLEY PARK, ILLINOIS			
						CUSTOMER DRAWING SAFETY RIGID POLYETHYLENE SIGN - PRS			
						UNLESS OTHERWISE SPECIFIED, DIMENSIONAL TOLERANCES ARE: (.X) ± .075 (.XXX) ± .020 (.XX) ± .050 ANGLES ± 5°		UNLESS OTHERWISE SPECIFIED, ALL DIMENSIONS ARE GIVEN IN INCHES, THIRD ANGLE PROJECTION.	
						DRAWN BY RVU		MAT'L:	
						DATE 3/28/08		GMPEI RIGID POLYETHYLENE	
						CHK'D		SCALE NTS	
						O 3/28/08 RVU		DRAWING NO. C10673	
						DRAWING RELEASE		DWG A SIZE	
REV	DATE	BY	CHK	DESCRIPTION	ECN	R	CUST	SUP	

PART NUMBER	LEGEND	DESCRIPTION	COLOR (TEXT / BACKGROUND)	"A" +/- .050 WIDTH in [mm]	HEIGHT "B" in. [mm]	STANDARD PKG. QTY.
PRS1014D79	DANGER, HIGH VOLTAGE KEEP AWAY	NON-ADHESIVE SIGN, 'DANGER' 'HIGH VOLTAGE' 'KEEP AWAY'	RED & BLACK/WHITE	14.00 (335.6)	10.00 (254.0)	1
PRS1014N443	NOTICE	NON-ADHESIVE SIGN, 'NOTICE' HEADER ONLY	BLUE & BLACK/WHITE	14.00 (335.6)	10.00 (254.0)	1
PRS1209B317	FIRE EXTINGUISHER ARROW POINT BELOW	NON-ADHESIVE SIGN, 'FIRE' 'EXTINGUISHER' 'ARROW BELOW'	WHITE/RED	9.00 (228.6)	12.00 (304.8)	1
PRS1420BWHT	BLANK	NON-ADHESIVE SIGN, 'BLANK'	WHITE	20.00 (508.0)	14.00 (335.6)	1
PRS1420BYEL	BLANK	NON-ADHESIVE SIGN, 'BLANK'	YELLOW	20.00 (508.0)	14.00 (335.6)	1
PRS1420C442	CAUTION	NON-ADHESIVE SIGN, 'CAUTION' HEADER ONLY	BLACK/YELLOW	20.00 (508.0)	14.00 (335.6)	1
PRS1420D440	DANGER	NON-ADHESIVE SIGN, 'DANGER' HEADER ONLY	RED & BLACK/WHITE	20.00 (508.0)	14.00 (335.6)	1
PRS1420D75	DANGER, HIGH VOLTAGE UNAUTHORIZED PERSONNEL KEEP OUT	NON-ADHESIVE SIGN, 'DANGER' 'HIGH VOLTAGE' 'UNAUTHORIZED PERSONNEL' 'KEEP OUT'	RED & BLACK/WHITE	20.00 (508.0)	14.00 (335.6)	1
PRS1420N443	NOTICE	NON-ADHESIVE SIGN, 'NOTICE' HEADER ONLY	BLUE & BLACK/WHITE	20.00 (508.0)	14.00 (335.6)	1



2 of 2

CAD FILENAME/LAYERS									
100318LT_DC_C10673/00A									
PANDUIT CORP. TINLEY PARK, ILLINOIS									
CUSTOMER DRAWING SAFETY RIGID POLYETHYLENE SIGN - PRS									
UNLESS OTHERWISE SPECIFIED, DIMENSIONAL TOLERANCES ARE: (.X) ± .075 (.XXX) ± .020 (.XX) ± .050 ANGLES ± 5°						UNLESS OTHERWISE SPECIFIED, ALL DIMENSIONS ARE GIVEN IN INCHES, THIRD ANGLE PROJECTION.			
DRAWN BY RVU				MAT'L:		SCALE NTS			
DATE 3/28/08				GMPEI RIGID POLYETHYLENE		DRAWING NO. C10673		DWG A SIZE	
CHK'D									
0	3/28/08	RVU		DRAWING RELEASE	5374	R			
REV	DATE	BY	CHK	DESCRIPTION	ECN	R	CUST	SUP	